



# Non-Rising Stem Resilient Seated Gate Valve IV006 RSGV - With ISO Top Flange

## Resilient-Seated Gate Valve

Non-Rising Stem, bareshaft with ISO top flange prepared for Gearbox / Electric Actuator

iValve **Resilient Seated Gate Valve with ISO top flange**, which is designed and manufactured for use in water, waste water, and sewage. Main usage is for isolation purposes. Full bore design makes it possible to be used bi-directionally and the fluid could clean the sealing surface area every time the valve is opened.



### Main Features

- Huge convenience in daily water-using and repairing
- Class A sealing (ZERO LEAKAGE)
- 100% testing before packing and delivery.
- Completely free and full bore self-cleaning & low-pressure loss.
- Clockwise closing (CWC) as standard, anticlockwise closing upon request.
- Operation: Manual handwheel, Square Cap, Extension Spindle, Gear Box, Electric Actuator, Pneumatic Actuator.
- Bonnet bolts are in Galvanized Carbon Steel, and sealed with hot melt to prevent corrosion. Other materials upon request.
- O-ring bonnet gasket wraps each bolt to prevent corrosion.
- Linear sealing design provides better sealing & lower closing torque.
- WRAS approved for drinking water.

### Standards

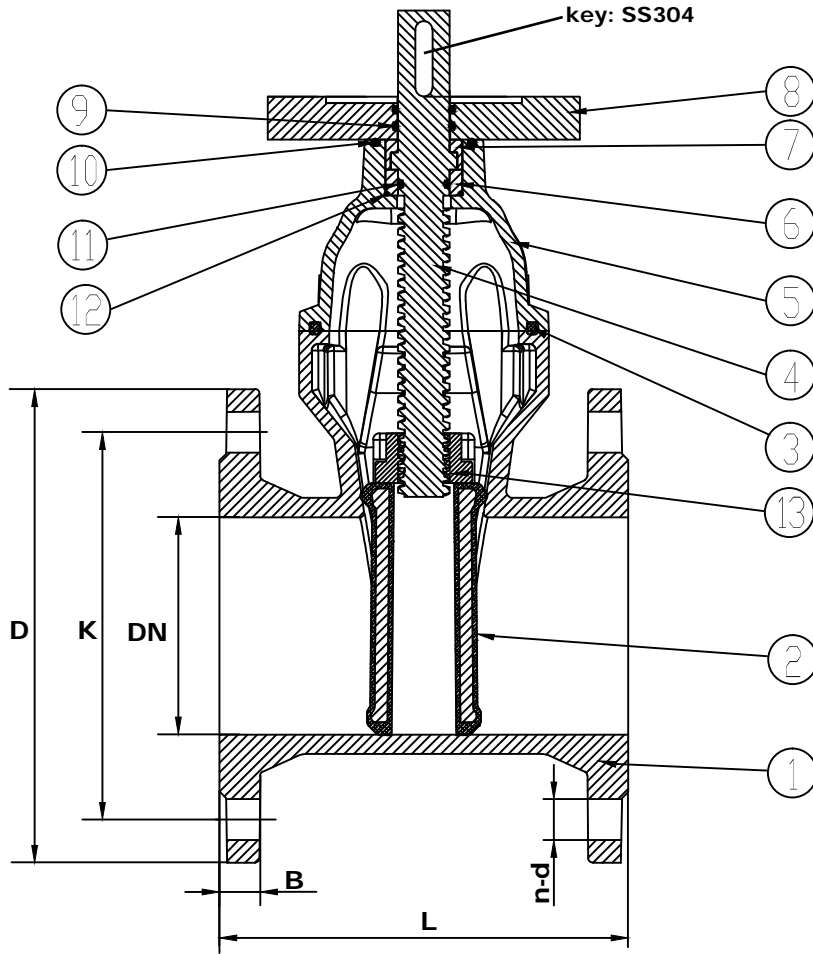
- Hydraulic tests according to EN-12266-1, Class A
- Designed to EN-1074
- Flanges to EN-1092-2, BS4504

### Service Fields

- Water and neutral liquid applications
- Main transmission pipelines
- Irrigation system
- Fire fighting



### Valve dimension



1	Body	Ductile iron
2	Disc	DI+EPDM
3	Bonnet gasket	NBR
4	Stem	SS420
5	Bonnet	Ductile iron
6	Thrust Washer	Brass
7	Thrust Sleeve	Brass
8	Top flange	Ductile iron
9	O-Ring	NBR
10	O-Ring	NBR
11	O-Ring	NBR
12	O-Ring	NBR
13	Stem Nut	Brass

SIZE	Outline (mm)			Valve Flange dimensions (mm)			
	L (face to face)			EN1092-2, PN10 / PN 16 / PN25			
DN	BS5163	DIN-F4	DIN-F5	D	K	n-d	B
DN40	165	140	240	150	110	4-φ19	19
DN50	178	150	250	165	125	4-φ19	19
DN65	190	170	270	185	145	4-φ19 / 4-φ19 / 8-φ19	19
DN80	203	180	280	200	160	8-φ19 / 8-φ19 / 8-φ19	19
DN100	229	190	300	220 / 220 / 235	180 / 180 / 190	8-φ19 / 8-φ19 / 8-φ23	19
DN125	254	200	325	250 / 250 / 270	210 / 210 / 220	8-φ19 / 8-φ19 / 8-φ28	19
DN150	267	210	350	285 / 285 / 300	240 / 240 / 250	8-φ23 / 8-φ23 / 8-φ28	19 / 19 / 20
DN200	292	230	400	340 / 340 / 360	295 / 295 / 310	8-φ23 / 12-φ23 / 12-φ28	20 / 20 / 22
DN250	330	250	450	405 / 405 / 425	350 / 355 / 370	12-φ23 / 12-φ28 / 12-φ31	22 / 22 / 24.5
DN300	356	270	500	460 / 460 / 485	400 / 410 / 430	12-φ23 / 12-φ28 / 16-φ31	24.5 / 24.5 / 27.5
DN350	381	290	550	520 / 520 / 555	460 / 470 / 490	16-φ23 / 16-φ28 / 16-φ34	26.5 / 26.5 / 32
DN400	406	310	600	580 / 580 / 620	515 / 525 / 550	16-φ28 / 16-φ31 / 16-φ37	28 / 28 / 32
DN450	432	330	650	640 / 640	565 / 585	20-φ28 / 20-φ31	30 / 30
DN500	457	350	700	670 / 715	620 / 650	20-φ28 / 20-φ34	26.5 / 31.5
DN600	508	390	800	780 / 840	725 / 770	20-φ31 / 20-φ37	30 / 36
DN700	610	430	900	895 / 910	840 / 840	24-φ31 / 24-φ37	32.5 / 39.5
DN800	660	470	1000	1015 / 1025	950 / 950	24-φ34 / 24-φ41	35 / 43
DN900	711	510	1100	1125 / 1125	1050 / 1050	28-φ34 / 28-φ40	46.5 / 46.5
DN1000	811	550	1200	1255 / 1255	1160 / 1170	28-φ37 / 28-φ43	50 / 50
DN1200	960	630	1400	1485 / 1485	1380 / 1390	32-φ40 / 32-φ49	57 / 57

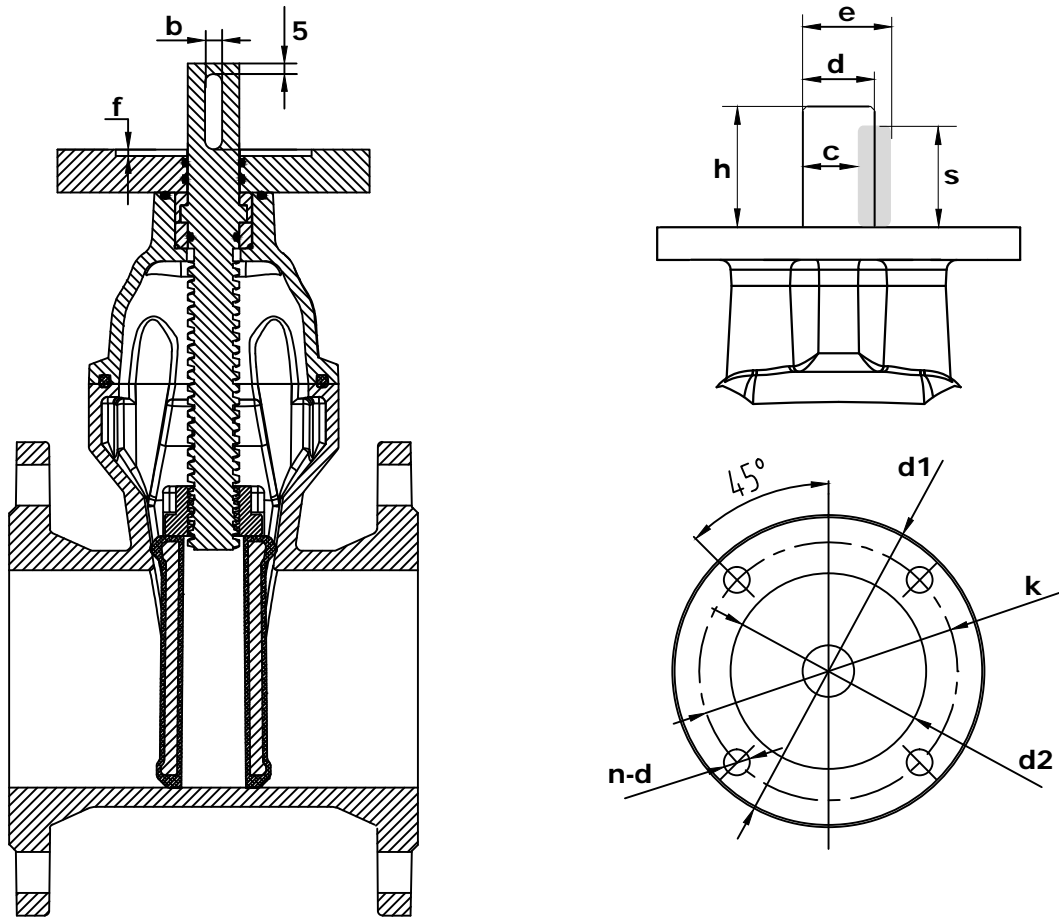
\* PN25 available for sizes DN40-400



# Non-Rising Stem Resilient Seated Gate Valve

## IV006 RSGV - With ISO Top Flange

### Top flange dimension



for different top flange, pls consult with us when ordering

SIZE	Switch Turns	Closing Torque (N.m)	mounting Flange	Top Flange dimension to ISO-5210										
				d1	k	n-d	d2	f	d	h	s	b	c	e
DN40	9	40	<b>F10</b>	125	102	4-φ12	71	3	18	40	35	6	14.5	20.8
DN50	9	40	<b>F10</b>	125	102	4-φ12	71	3	18	40	35	6	14.5	20.8
DN65	10	50	<b>F10</b>	125	102	4-φ12	71	3	21	40	35	6	17.5	23.8
DN80	12	60	<b>F10</b>	125	102	4-φ12	71	3	21	40	35	6	17.5	23.8
DN100	12	80	<b>F10</b>	125	102	4-φ12	71	3	24	40	35	8	20	27.3
DN125	14.5	100	<b>F12</b>	150	125	4-φ14	86	3	26	50	45	8	22	29.3
DN150	17	120	<b>F12</b>	150	125	4-φ14	86	3	26	50	45	8	22	29.3
DN200	18.5	150	<b>F12</b>	150	125	4-φ14	86	3	32	50	45	10	27	35.3
DN250	23	200	<b>F14</b>	175	140	4-φ18	101	4	34	55	50	10	29	37.3
DN300	27	250	<b>F14</b>	175	140	4-φ18	101	4	34	55	50	10	29	37.3
DN350	30.5	300	<b>F14</b>	175	140	4-φ18	101	4	34	55	50	10	29	37.3
DN400	34.5	350	<b>F16</b>	210	165	4-φ22	131	6	36	70	65	10	31	39.3
DN450	28	400	<b>F16</b>	210	165	4-φ22	131	6	36	70	65	10	31	39.3
DN500	32.5	450	<b>F16</b>	210	165	4-φ22	131	6	36	70	65	10	31	39.3
DN600	34.5	500	<b>F25</b>	300	254	8-φ18	201	6	42	90	85	12	37	45.3
DN700	40	700	<b>F25</b>	300	254	8-φ18	201	6	55	90	85	16	49	59.3
DN800	45	900	<b>F30</b>	350	298	8-φ22	231	6	65	90	85	18	58	69.4
DN900	57.3	900	<b>F30</b>	350	298	8-φ22	231	6	65	90	85	18	58	69.4
DN1000	63.5	900	<b>F30</b>	350	298	8-φ22	231	6	65	90	85	18	58	69.4
DN1200	101	1200	<b>F30</b>	350	298	8-φ22	231	6	65	90	85	18	58	69.4

Designs, materials and specifications shown are subject to change without notice due to our continuing program of product development.

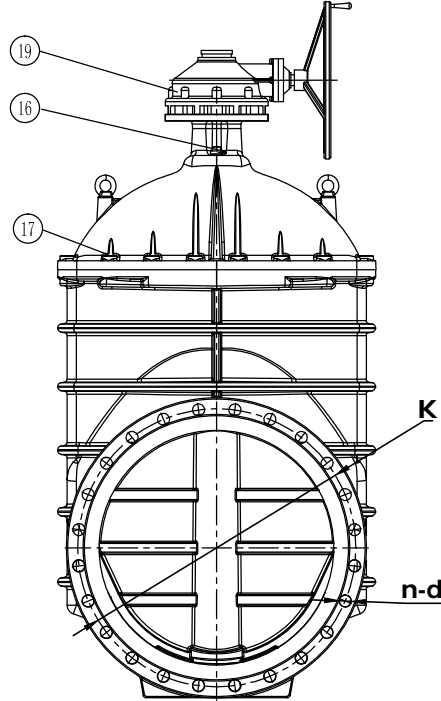
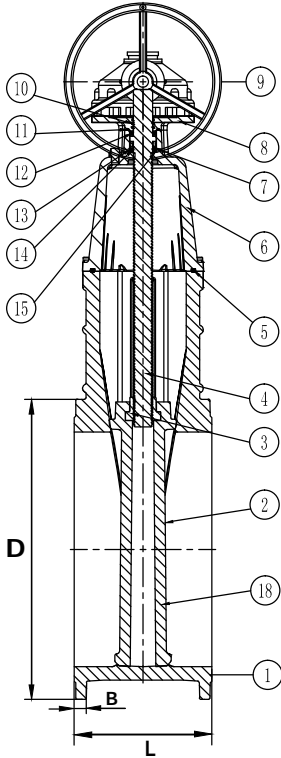


# Non-Rising Stem Resilient Seated Gate Valve

## IV006 RSGV - With Gear

### Resilient-Seated Gate Valve

Non-Rising Stem, operated with Gearbox



19	Gearbox	Assembly unit
18	Disc core	DUCTILE IRON
17	Bonnet Bolt	CARBON STEEL GALVANIZED
16	Plug	AISI304 STAINLESS STEEL
15	O Ring	NBR
14	O Ring	NBR
13	O Ring	NBR
12	Bearing	AISI304 STAINLESS STEEL
11	O Ring	NBR
10	O Ring	NBR
9	Bevel Gear	assembly set
8	Top flange	DUCTILE IRON
7	Thrust Washer	CuZn39Pb1 Brass
6	Bonnet	DUCTILE IRON
5	Bonnet Gasket	NBR
4	Stem	AISI420 STAINLESS STEEL
3	Stem Nut	CuZn39Pb1 Brass
2	Disc	EPDM+DUCTILE IRON
1	Body	DUCTILE IRON

pls contact us for more details for the gearbox

SIZE	Outline (mm)			Valve Flange dimensions (mm)			
	L (face to face)			EN1092-2, PN10 / PN 16 / PN25			
DN	BS5163	DIN-F4	DIN-F5	D	K	n-d	B
DN40	165	140	240	150	110	4-φ19	19
DN50	178	150	250	165	125	4-φ19	19
DN65	190	170	270	185	145	4-φ19 / 4-φ19 / 8-φ19	19
DN80	203	180	280	200	160	8-φ19 / 8-φ19 / 8-φ19	19
DN100	229	190	300	220 / 220 / 235	180 / 180 / 190	8-φ19 / 8-φ19 / 8-φ23	19
DN125	254	200	325	250 / 250 / 270	210 / 210 / 220	8-φ19 / 8-φ19 / 8-φ28	19
DN150	267	210	350	285 / 285 / 300	240 / 240 / 250	8-φ23 / 8-φ23 / 8-φ28	19 / 19 / 20
DN200	292	230	400	340 / 340 / 360	295 / 295 / 310	8-φ23 / 12-φ23 / 12-φ28	20 / 20 / 22
DN250	330	250	450	405 / 405 / 425	350 / 355 / 370	12-φ23 / 12-φ28 / 12-φ31	22 / 22 / 24.5
DN300	356	270	500	460 / 460 / 485	400 / 410 / 430	12-φ23 / 12-φ28 / 16-φ31	24.5 / 24.5 / 27.5
DN350	381	290	550	520 / 520 / 555	460 / 470 / 490	16-φ23 / 16-φ28 / 16-φ34	26.5 / 26.5 / 32
DN400	406	310	600	580 / 580 / 620	515 / 525 / 550	16-φ28 / 16-φ31 / 16-φ37	28 / 28 / 32
DN450	432	330	650	640 / 640	565 / 585	20-φ28 / 20-φ31	30 / 30
DN500	457	350	700	670 / 715	620 / 650	20-φ28 / 20-φ34	26.5 / 31.5
DN600	508	390	800	780 / 840	725 / 770	20-φ31 / 20-φ37	30 / 36
DN700	610	430	900	895 / 910	840 / 840	24-φ31 / 24-φ37	32.5 / 39.5
DN800	660	470	1000	1015 / 1025	950 / 950	24-φ34 / 24-φ41	35 / 43
DN900	711	510	1100	1125 / 1125	1050 / 1050	28-φ34 / 28-φ40	46.5 / 46.5
DN1000	811	550	1200	1255 / 1255	1160 / 1170	28-φ37 / 28-φ43	50 / 50
DN1200	960	630	1400	1485 / 1485	1380 / 1390	32-φ40 / 32-φ49	57 / 57


\* PN25 available for sizes DN40-400



# Non-Rising Stem Resilient Seated Gate Valve IV006 RSGV - With Gear

## Resilient-Seated Gate Valve

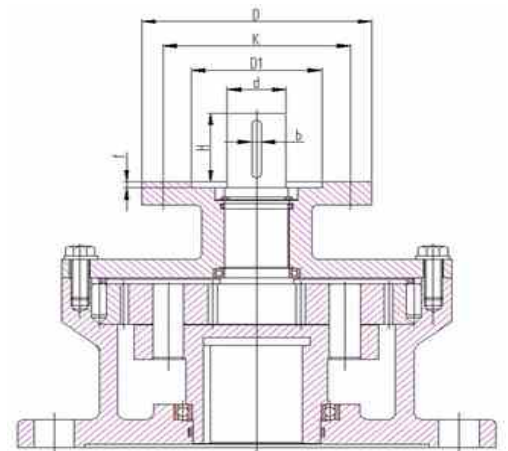
Non-Rising Stem, operated with Planet Gear  
+ Handwheel / Square Cap

valve size	Gear ratio	valve torque / N.m (include 30% safety factor)	torque after gear / N.m (output torque of gear)	number of turns (valve)	number of turns (after planet gear)	Planet Gear + Handwheel + Top flange, suit for electric actuator
DN250	3 : 1	260	87	23	69	
DN300	4 : 1	325	81	27	108	
DN350	4 : 1	390	98	30.5	122	
DN400	4 : 1	455	114	34.5	138	
DN450	4 : 1	520	130	28.0	112	
DN500	4 : 1	585	146	32.5	130	
DN600	4 : 1	780	195	34.5	138	
DN700	6 : 1	910	152	40	240	
DN800	6 : 1	1170	195	45	270	
DN900	6 : 1	1170	195	57.3	344	
DN1000	6 : 1	1170	195	63.5	381	
DN1200	6 : 1	1560	260	101	608	

## Resilient-Seated Gate Valve

Non-Rising Stem, operated with Planet Gear  
+ Top flange with shaft for Gearbox / Actuator

valve size	top flange	D	K	H	d	b	D1 x f
DN250	F10	φ125	φ102	40	φ25	8x7	φ70x3
DN300	F10	φ125	φ102	40	φ25	8x7	φ70x3
DN350	F10	φ125	φ102	40	φ25	8x7	φ70x3
DN400	F10	φ125	φ102	40	φ25	8x7	φ70x3
DN450	F10	φ125	φ102	40	φ25	8x7	φ70x3
DN500	F10	φ125	φ102	40	φ25	8x7	φ70x3
DN600	F14	φ175	φ140	40	φ32	10x8	φ100x4
DN700	F14	φ175	φ140	40	φ32	10x8	φ100x4
DN800	F14	φ175	φ140	40	φ32	10x8	φ100x4
DN900	F14	φ175	φ140	40	φ32	10x8	φ100x4
DN1000	F14	φ175	φ140	40	φ32	10x8	φ100x4
DN1200	F14	φ175	φ140	40	φ32	10x8	φ100x4



Designs, materials and specifications shown are subject to change without notice due to our continuing program of product development.



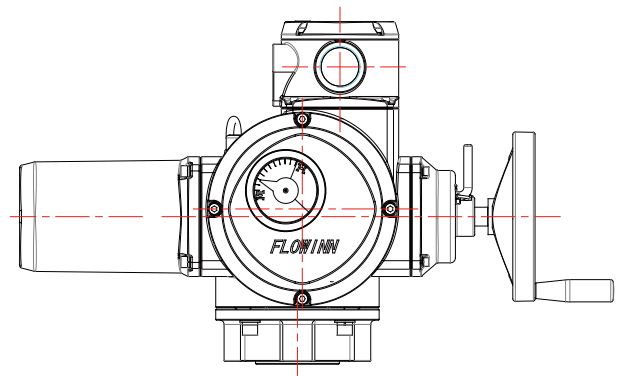
# Non-Rising Stem Resilient Seated Gate Valve operation for Gate Valve



Electric Acuator **FLOWINN**

pls consult with the actuator factory for detailed info

## EMT MULTI-TURN ELECTRIC ACTUATOR



customer demand  
turn electric actu-  
atures.



FM 522775



EMS 595200



OHS 595201

**CE RoHS REACH**

**FLOWINN (SHANGHAI) INDUSTRIAL CO., LTD**

Please visit website [WWW.FLOWINN.COM](http://WWW.FLOWINN.COM)