



Ball Check Valve

Ball type Non-Return Valve

IV027 bCV

Flanged (DN40-500)
threaded (DN25-80)

Ball Check Valve

Ball type Non-Return Valve

Ball Check Valve is the main stream product type for the waste-water industry. Internal and ball structure enables, non-stop functioning, self-cleaning and with full bore. Operation is based on a free ball inside the body which is pushed by the pumped flow to the side cavity, allowing the liquid pass through. When the pump stoped and the ball is no longer pushed aside, it drops back in the inlet port and prevents flow returns. Ball check valves are available with flanges and internal threads.



Main Features

- Selfing cleaning, no risk of impurities getting stuck on the ball.
- Silent closing, no water hammer
- 100% testing before packing and delivery
- full bore, 100% flow area, full waterway for low headloss
- suitable for Horizontal or vertical installation
- Compact design maintains easier installation.
- Light weight design for easy installation
- Self-cleaning sinking nitrile coated ball
- Eliminates the risk of impurities getting stuck on the ball.
- Low pressure drop
- Inside and outside epoxy-coating

Standards

- Designed to EN12050-4 / EN 12334
- Hydraulic tests according to EN 12266
- Face-to-face: EN558 Table 2 series 48 (DIN3202-F6)
- Flange drilling to EN1092-2/BS4504, PN10/16
- Threaded connection: BSP inside screwed
- Minimum backpressure: 0.5bar

Service Fields

- wasterwater, sewage & mud.
- Neutral liquid, Non-potable water
- Industrial applications
- power plants and process industry



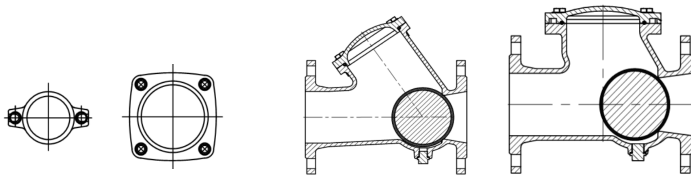
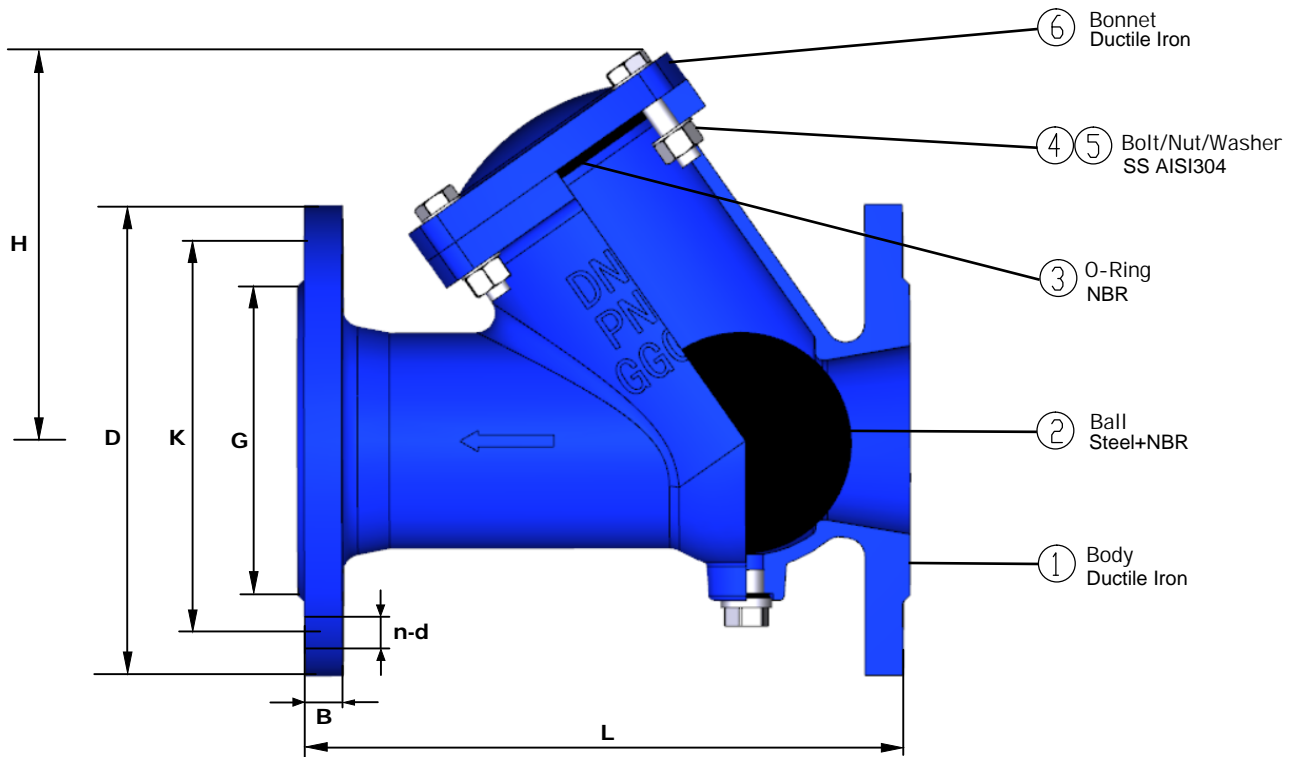


Ball Check Valve

Ball type Non-Return Valve

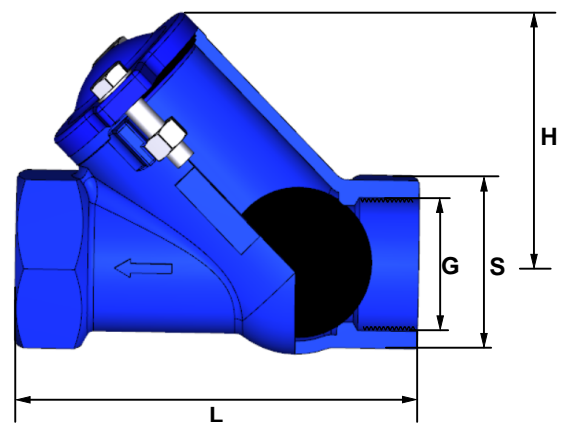
IV027 bCV

Flanged (DN40-500)
threaded (DN25-80)



DN40-65 DN80-500 DN40-150 DN200-500

DN	L	H	EN1092-2 PN10				EN1092-2 PN16				B
			D	K	G	n-d	D	K	G	n-d	
40	180	99	150	110	84	4-Ø19	150	110	84	4-Ø19	19
50	200	108	165	125	99	4-Ø19	165	125	99	4-Ø19	19
65	240	132	185	145	118	4-Ø19	185	145	118	4-Ø19	19
80	260	165	200	160	132	8-Ø19	200	160	132	8-Ø19	19
100	300	196	220	180	156	8-Ø19	220	180	156	8-Ø19	19
125	350	237	250	210	184	8-Ø19	250	210	184	8-Ø19	19
150	400	272	285	240	211	8-Ø23	285	240	211	8-Ø23	19
200	500	287	340	295	266	8-Ø23	340	295	266	12-Ø23	20
250	600	355	395	350	319	12-Ø23	405	355	319	12-Ø28	22
300	700	425	445	400	370	12-Ø23	460	410	370	12-Ø28	24.5
350	800	533	505	460	429	16-Ø23	520	470	429	16-Ø28	26.5
400	900	584	565	515	480	16-Ø28	580	525	480	16-Ø31	28
500	1100	784	670	620	582	20-Ø28	715	650	609	20-Ø34	31.5



DN	G	L	H	S
DN25	1"	137	75	50
DN32	1 1/4"	137	75	50
DN40	1 1/2"	145	93	60
DN50	2"	175	106	72
DN65	2 1/2"	200	131	90
DN80	3"	248	162	105

Designs, materials and specifications shown are subject to change without notice due to our continuing program of product development.



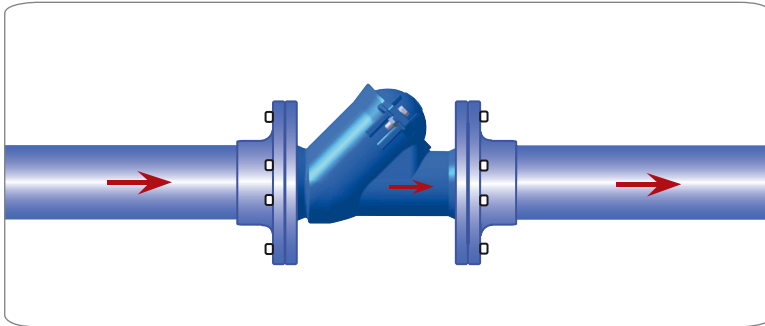
Ball Check Valve Ball type Non-Return Valve

IV027 bCV

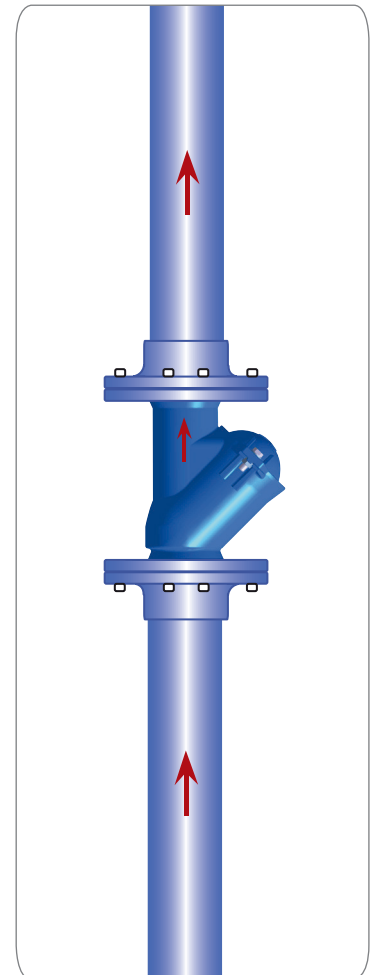
Flanged (DN40-500)
threaded (DN25-80)

Mounting instruction BALL CHECK VALVE

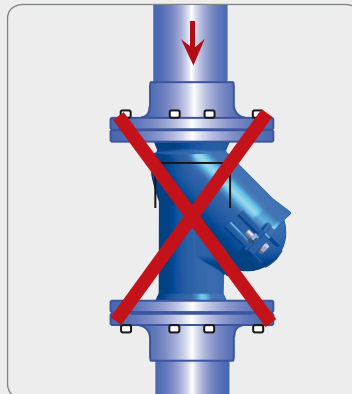
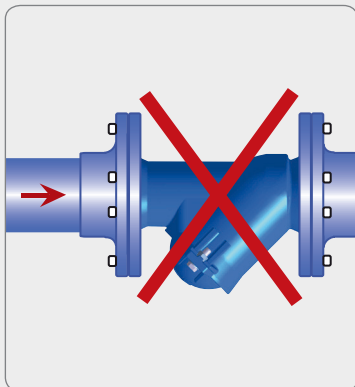
Horizontal Installation:



Vertical Installation:

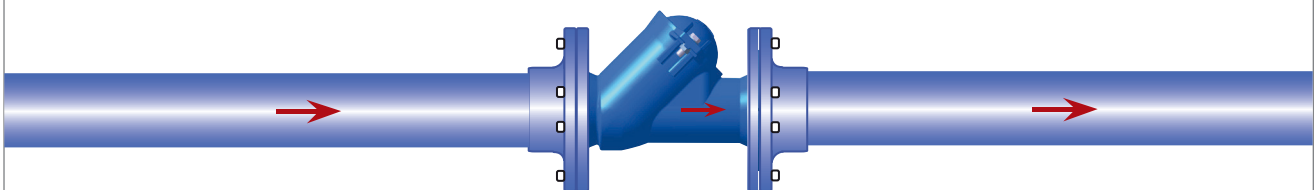


wrong installation



Valve fully open at 1 - 1,5 m/s

Closed valve 0.5 bar back pressure



Mounting distance downstream pumps and elbows min. 5 x DN.



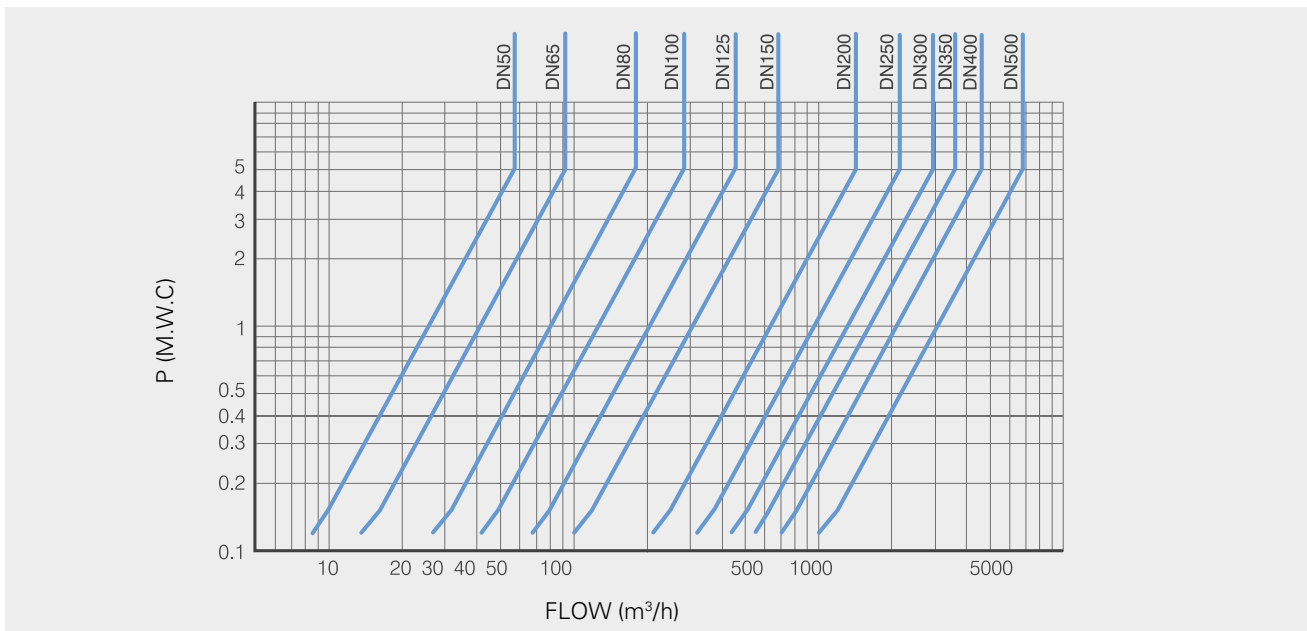
Ball Check Valve Ball type Non-Return Valve

IV027 bCV

Flanged (DN40-500)
threaded (DN25-80)

Pressure Drop

Flanged Ball Check Valve



Threaded Ball Check Valve

