



Resilient Seated Gate Valve

Non-Rising Stem, IV001 RSGV

Resilient-Seated Gate Valve

Non-Rising Stem, brass nut type

iValve **Resilient Seated Gate Valve**, which is designed and manufactured for use in water, waste water, and sewage. Main usage is for isolation purposes. Full bore design makes it possible to be used bi-directionally and the fluid could clean the sealing surface area every time the valve is opened.



Main Features

- Huge convenience in daily water-using and repairing
If sealing parts in the bonnet are broken, we could replace the sealing parts with the valve completely open when the valve is still in the pipeline.
- Class A sealing (ZERO LEAKAGE)
- 100% testing before packing and delivery.
- Completely free and full bore self-cleaning & low-pressure loss.
- Clockwise closing (CWC) as standard, anticlockwise closing upon request.
- Operation: Manual handwheel, Square Cap, Extension Spindle.
- Bonnet bolts are in Galvanized Carbon Steel, and sealed with hot melt to prevent corrosion. Other materials upon request.
- O-ring bonnet gasket wraps each bolt to prevent corrosion.
- Linear sealing design provides better sealing & lower closing torque.
- Potable water approved epoxy coating, fusion bonded according DIN 3476-1, EN 14901

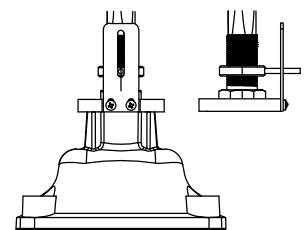


Standards

- Hydraulic tests according to EN-12266-1, Class A
- Designed to EN-1074
- Flanges to EN-1092-2, BS4504

Service Fields

- Water and neutral liquid applications
- Main transmission pipelines
- Irrigation system
- Fire fighting



open-close position indicator
- upon request

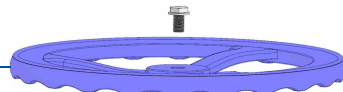


Resilient Seated Gate Valve

Non-Rising Stem, IV001 RSGV

Handwheel / Cap

Ductile iron
EN-GJS-500-7



Dust Cover

NBR rubber



Stem

Stainless steel AISI 420

* SS304

* SS316 / SS316

* SS431

- smooth surface
- high torque resistance



Stem Nut

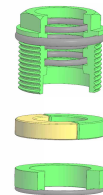
Locking Rings

Thrust Washer

BRASS CuZn39Pb1

* Aluminum Bronze

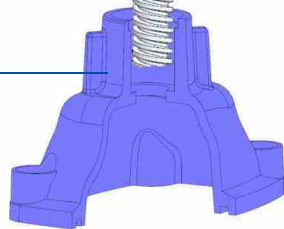
* Dezincification Brass CZ132



- total 6 O-Rings in bonnet
- upper 3 O-Rings replaceable under pressure

Bonnet

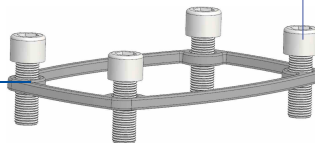
Ductile iron
EN-GJS-500-7
with gasket groove



Bonnet Gasket

EPDM / NBR rubber

- cambered surface
- bolts wrapped separately
make sure good sealing



Bolts

Carbon steel Galvanized 8.8 grade

* SS304

* SS316 / SS316L

- sealed with hot melt
to prevent corrosion

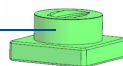
Wedge Nut

BRASS CuZn39Pb1

* Aluminum Bronze

* Dezincification Brass CZ132

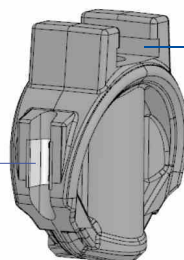
- Free wedge nut design
- reduces stem bending forces
- can be easily replaced



Rubber Wedge

Ductile iron EN-GJS500-7
+ EPDM / NBR rubber

- Wedge fully encapsulated in
EPDM for a better resistance to
corrosion.
- Linear sealing design
provides better sealing & lower
closing torque.



Wedge Guide Shoe

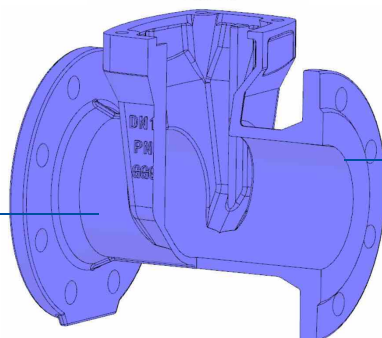
- get lower operating torque
and longer service life



Surface Protection

Fusion bonded epoxy coating
internally & externally
average thickness 300 micron

- WRAS approved epoxy powder



Body

Ductile iron EN-GJS500-7

Completely free and full bore
self-cleaning & low-pressure loss.

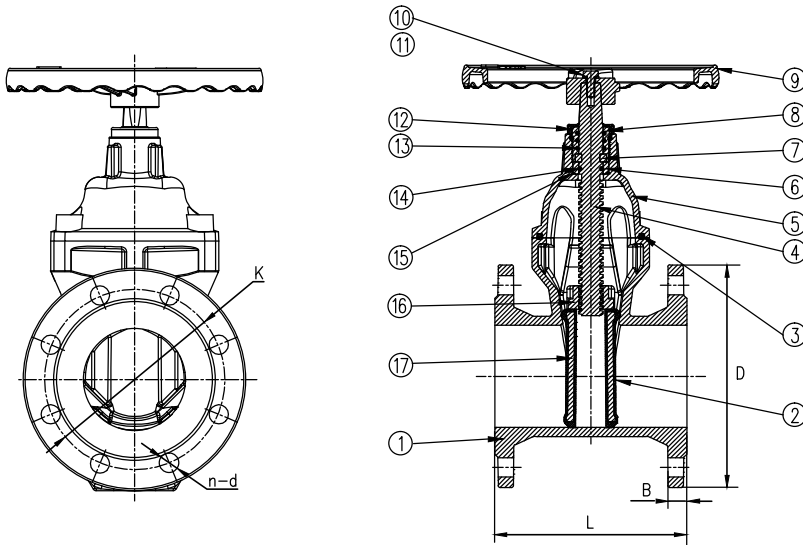
100% tested acc. to EN 12166-1 standard.



Resilient Seated Gate Valve

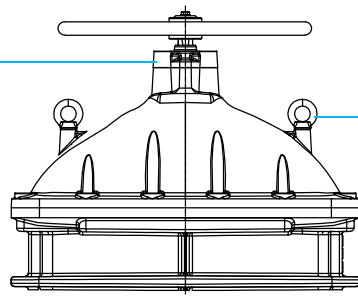
Non-Rising Stem, IV001 RSGV

PART LIST & DIMENSIONS



17	Core	DUCTILE IRON
16	Stem Nut	CuZn39Pb1 Brass
15	O Ring	NBR
14	O Ring	NBR
13	O Ring	NBR
12	Dustcover	NBR
11	Flat washer	AISI304 STAINLESS STEEL
10	Bolt	AISI304 STAINLESS STEEL
9	Handwheel/Cap	DUCTILE IRON
8	Thrust Nut	CuZn39Pb1 Brass
7	Holding Ring	CuZn39Pb1 Brass
6	Thrust Washer	CuZn39Pb1 Brass
5	Bonnet	DUCTILE IRON
4	Stem	AISI420 STAINLESS STEEL
3	Bonnet Gasket	NBR
2	Disc	EPDM+DUCTILE IRON
1	Body	DUCTILE IRON

* size above DN300
with gland on bonnet



* lifting ring
from size DN200

SIZE	Outline (mm)			Valve Flange dimensions (mm)			
	L (face to face)			EN1092-2, PN10 / PN 16 / PN25			
DN	BS5163	DIN-F4	DIN-F5	D	K	n-d	B
DN40	165	140	240	150	110	4-φ19	19
DN50	178	150	250	165	125	4-φ19	19
DN65	190	170	270	185	145	4-φ19 / 4-φ19 / 8-φ19	19
DN80	203	180	280	200	160	8-φ19 / 8-φ19 / 8-φ19	19
DN100	229	190	300	220 / 220 / 235	180 / 180 / 190	8-φ19 / 8-φ19 / 8-φ23	19
DN125	254	200	325	250 / 250 / 270	210 / 210 / 220	8-φ19 / 8-φ19 / 8-φ28	19
DN150	267	210	350	285 / 285 / 300	240 / 240 / 250	8-φ23 / 8-φ23 / 8-φ28	19 / 19 / 20
DN200	292	230	400	340 / 340 / 360	295 / 295 / 310	8-φ23 / 12-φ23 / 12-φ28	20 / 20 / 22
DN250	330	250	450	405 / 405 / 425	350 / 355 / 370	12-φ23 / 12-φ28 / 12-φ31	22 / 22 / 24.5
DN300	356	270	500	460 / 460 / 485	400 / 410 / 430	12-φ23 / 12-φ28 / 16-φ31	24.5 / 24.5 / 27.5
DN350	381	290	550	520 / 520 / 555	460 / 470 / 490	16-φ23 / 16-φ28 / 16-φ34	26.5 / 26.5 / 32
DN400	406	310	600	580 / 580 / 620	515 / 525 / 550	16-φ28 / 16-φ31 / 16-φ37	28 / 28 / 32
DN450	432	330	650	640 / 640	565 / 585	20-φ28 / 20-φ31	30 / 30
DN500	457	350	700	670 / 715	620 / 650	20-φ28 / 20-φ34	26.5 / 31.5
DN600	508	390	800	780 / 840	725 / 770	20-φ31 / 20-φ37	30 / 36
DN700	610	430	900	895 / 910	840 / 840	24-φ31 / 24-φ37	32.5 / 39.5
DN800	660	470	1000	1015 / 1025	950 / 950	24-φ34 / 24-φ41	35 / 43
DN900	711	510	1100	1125 / 1125	1050 / 1050	28-φ34 / 28-φ40	46.5 / 46.5
DN1000	811	550	1200	1255 / 1255	1160 / 1170	28-φ37 / 28-φ43	50 / 50
DN1200	960	630	1400	1485 / 1485	1380 / 1390	32-φ40 / 32-φ49	57 / 57

Designs, materials and specifications shown are subject to change without notice due to our continuing program of product development.

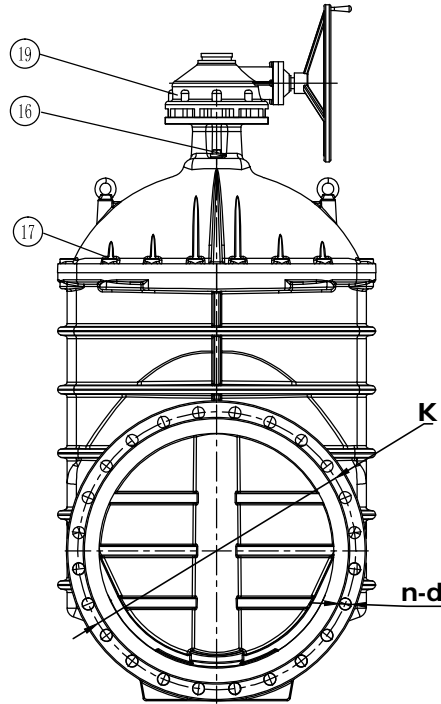
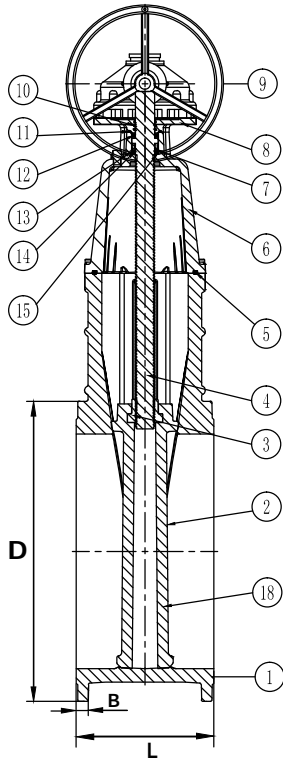
* PN25 available for sizes DN40-400



Non-Rising Stem Resilient Seated Gate Valve IV006 RSGV - With Gear

Resilient-Seated Gate Valve

Non-Rising Stem, operated with Gearbox



19	Gearbox	Assembly unit
18	Disc core	DUCTILE IRON
17	Bonnet Bolt	CARBON STEEL GALVANIZED
16	Plug	AISI304 STAINLESS STEEL
15	O Ring	NBR
14	O Ring	NBR
13	O Ring	NBR
12	Bearing	AISI304 STAINLESS STEEL
11	O Ring	NBR
10	O Ring	NBR
9	Bevel Gear	assembly set
8	Top flange	DUCTILE IRON
7	Thrust Washer	CuZn39Pb1 Brass
6	Bonnet	DUCTILE IRON
5	Bonnet Gasket	NBR
4	Stem	AISI420 STAINLESS STEEL
3	Stem Nut	CuZn39Pb1 Brass
2	Disc	EPDM+DUCTILE IRON
1	Body	DUCTILE IRON

pls contact us for more details for the gearbox

SIZE	Outline (mm)			Valve Flange dimensions (mm)			
	L (face to face)			EN1092-2, PN10 / PN 16 / PN25			
DN	BS5163	DIN-F4	DIN-F5	D	K	n-d	B
DN40	165	140	240	150	110	4-φ19	19
DN50	178	150	250	165	125	4-φ19	19
DN65	190	170	270	185	145	4-φ19 / 4-φ19 / 8-φ19	19
DN80	203	180	280	200	160	8-φ19 / 8-φ19 / 8-φ19	19
DN100	229	190	300	220 / 220 / 235	180 / 180 / 190	8-φ19 / 8-φ19 / 8-φ23	19
DN125	254	200	325	250 / 250 / 270	210 / 210 / 220	8-φ19 / 8-φ19 / 8-φ28	19
DN150	267	210	350	285 / 285 / 300	240 / 240 / 250	8-φ23 / 8-φ23 / 8-φ28	19 / 19 / 20
DN200	292	230	400	340 / 340 / 360	295 / 295 / 310	8-φ23 / 12-φ23 / 12-φ28	20 / 20 / 22
DN250	330	250	450	405 / 405 / 425	350 / 355 / 370	12-φ23 / 12-φ28 / 12-φ31	22 / 22 / 24.5
DN300	356	270	500	460 / 460 / 485	400 / 410 / 430	12-φ23 / 12-φ28 / 16-φ31	24.5 / 24.5 / 27.5
DN350	381	290	550	520 / 520 / 555	460 / 470 / 490	16-φ23 / 16-φ28 / 16-φ34	26.5 / 26.5 / 32
DN400	406	310	600	580 / 580 / 620	515 / 525 / 550	16-φ28 / 16-φ31 / 16-φ37	28 / 28 / 32
DN450	432	330	650	640 / 640	565 / 585	20-φ28 / 20-φ31	30 / 30
DN500	457	350	700	670 / 715	620 / 650	20-φ28 / 20-φ34	26.5 / 31.5
DN600	508	390	800	780 / 840	725 / 770	20-φ31 / 20-φ37	30 / 36
DN700	610	430	900	895 / 910	840 / 840	24-φ31 / 24-φ37	32.5 / 39.5
DN800	660	470	1000	1015 / 1025	950 / 950	24-φ34 / 24-φ41	35 / 43
DN900	711	510	1100	1125 / 1125	1050 / 1050	28-φ34 / 28-φ40	46.5 / 46.5
DN1000	811	550	1200	1255 / 1255	1160 / 1170	28-φ37 / 28-φ43	50 / 50
DN1200	960	630	1400	1485 / 1485	1380 / 1390	32-φ40 / 32-φ49	57 / 57


* PN25 available for sizes DN40-400



Non-Rising Stem Resilient Seated Gate Valve IV006 RSGV - With Gear

Resilient-Seated Gate Valve

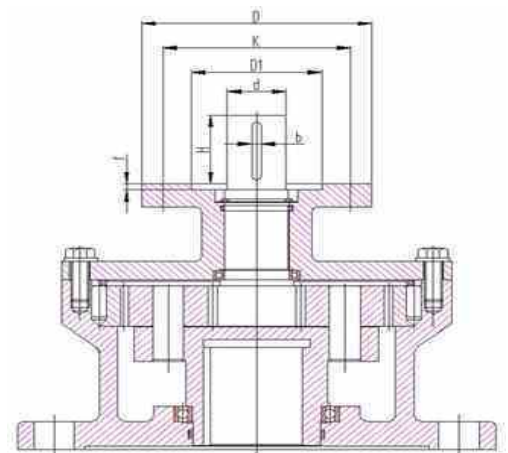
Non-Rising Stem, operated with Planet Gear
+ Handwheel / Square Cap

valve size	Gear ratio	valve torque / N.m (include 30% safety factor)	torque after gear / N.m (output torque of gear)	number of turns (valve)	number of turns (after planet gear)	Planet Gear + Handwheel + Top flange, suit for electric actuator
DN250	3 : 1	260	87	23	69	
DN300	4 : 1	325	81	27	108	
DN350	4 : 1	390	98	30.5	122	
DN400	4 : 1	455	114	34.5	138	
DN450	4 : 1	520	130	28.0	112	
DN500	4 : 1	585	146	32.5	130	
DN600	4 : 1	780	195	34.5	138	
DN700	6 : 1	910	152	40	240	
DN800	6 : 1	1170	195	45	270	
DN900	6 : 1	1170	195	57.3	344	
DN1000	6 : 1	1170	195	63.5	381	
DN1200	6 : 1	1560	260	101	608	

Resilient-Seated Gate Valve

Non-Rising Stem, operated with Planet Gear
+ Top flange with shaft for Gearbox / Actuator

valve size	top flange	D	K	H	d	b	D1 x f
DN250	F10	φ125	φ102	40	φ25	8x7	φ70x3
DN300	F10	φ125	φ102	40	φ25	8x7	φ70x3
DN350	F10	φ125	φ102	40	φ25	8x7	φ70x3
DN400	F10	φ125	φ102	40	φ25	8x7	φ70x3
DN450	F10	φ125	φ102	40	φ25	8x7	φ70x3
DN500	F10	φ125	φ102	40	φ25	8x7	φ70x3
DN600	F14	φ175	φ140	40	φ32	10x8	φ100x4
DN700	F14	φ175	φ140	40	φ32	10x8	φ100x4
DN800	F14	φ175	φ140	40	φ32	10x8	φ100x4
DN900	F14	φ175	φ140	40	φ32	10x8	φ100x4
DN1000	F14	φ175	φ140	40	φ32	10x8	φ100x4
DN1200	F14	φ175	φ140	40	φ32	10x8	φ100x4



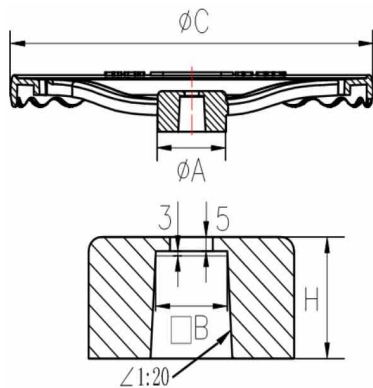
Designs, materials and specifications shown are subject to change without notice due to our continuing program of product development.



Resilient Seated Gate Valve Non Rising Stem operation for Gate Valve

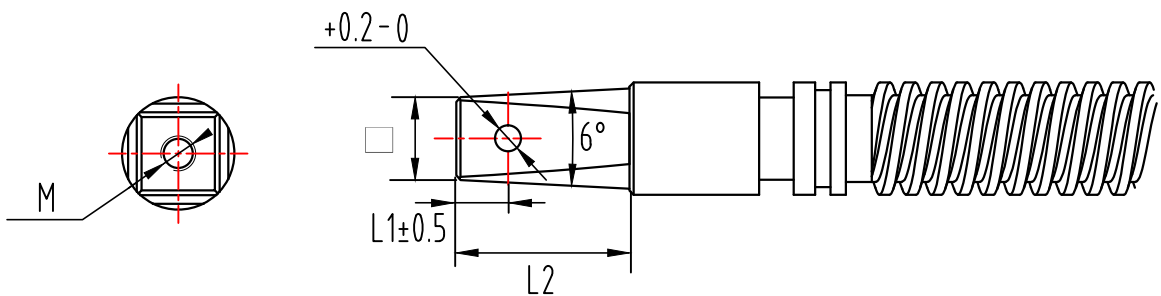
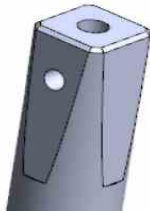


DI/steel Handwheel



valve size	ϕC	A	$\square B$	H
DN40-50	$\Phi 180$	40	$\square 14$	22
DN65-80	$\Phi 200$	48	$\square 17$	22
DN100	$\Phi 220$	50	$\square 19$	31
DN125	$\Phi 254$	55	$\square 19$	31
DN150	$\Phi 280$	55	$\square 19$	31
DN200	$\Phi 315$	65	$\square 24$	31
DN250-300	$\Phi 406$	72	$\square 27$	36
DN350-400	$\Phi 500$	66	$\square 30$	36
DN450-600	$\Phi 650$	85	$\square 30$	48

Stem end dimension customized dimension upon request



DN	ϕ	L1	L2	\square	M
DN50	$\phi 6$	12.5	32	14	M8
DN65	$\phi 6$	12.5	35	14	M8
DN80	$\phi 6$	12.5	35	17	M8
DN100	$\phi 6$	12.5	40	19	M8
DN125	$\phi 6$	12.5	40	19	M8
DN150	$\phi 6$	12.5	40	19	M8
DN200	$\phi 6$	12.5	45	24	M8
DN250	$\phi 6$	12.5	45	27	M10
DN300	$\phi 6$	12.5	45	27	M10
DN350	$\phi 6$	12.5	45	27	M10
DN400	$\phi 6$	12.5	45	27	M10
DN450	$\phi 6$	12.5	50	27	M10
DN500	$\phi 6$	17.5	70	30	M10
DN600	$\phi 6$	30	70	30	M12

Designs, materials and specifications shown are subject to change without notice due to our continuing program of product development.



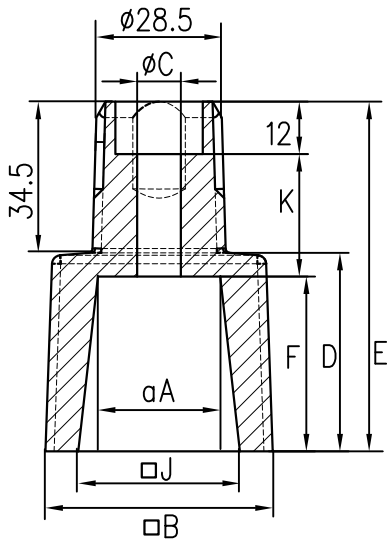
Resilient Seated Gate Valve

Non-Rising Stem, operation for Gate Valve

IV001 RSGV



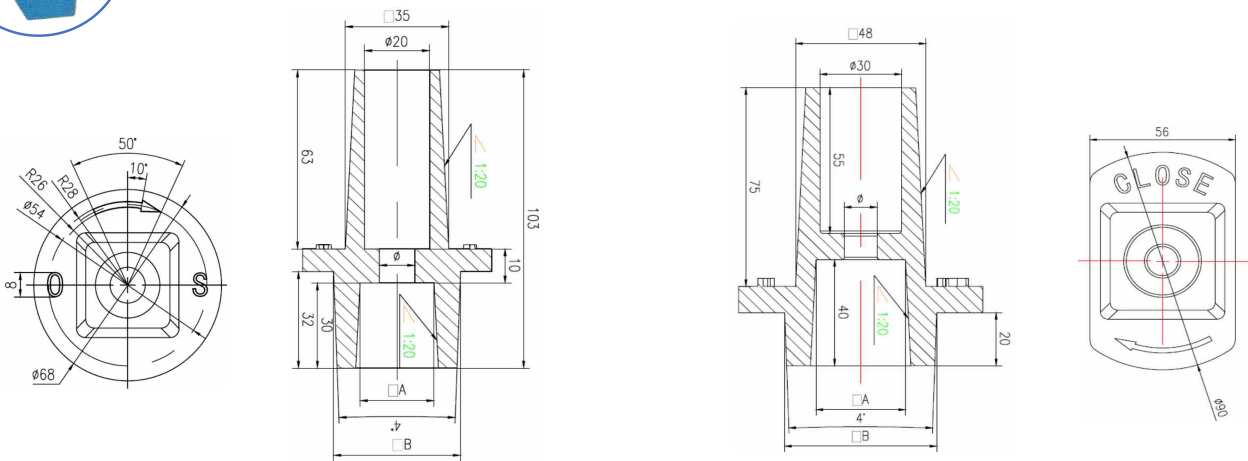
DIN Square Cap



valve size	□ A	□ B	φC	D	E	F	□ J	K	bolt 8.8 inox
DN40-50	□ 14	40	φ 10	4.5	39	22	□ 16	5	M8x20
DN65	□ 14	40	φ 10	8.5	43	26	□ 16.5	5	M8x20
DN80	□ 17	40	φ 10	13.5	48	30	□ 20	6	M8x20
DN100	□ 19	40	φ 10	13.5	50	30	□ 22	8	M8x25
DN125-150	□ 19	40	φ 10	20.5	55	30	□ 22	13	M8x30
DN200	□ 24	40	φ 10	39.5	74	34	□ 27.3	28	M8x45
DN250	□ 27	45	φ 12	45.5	80	40	□ 31	28	M10x45
DN300-400	□ 27	52	φ 12	45.5	80	40	□ 31	28	M10x45
DN500	□ 27	63.5	φ 12	63.5	98	49	□ 31	37	M10x55



BS Square Cap



Size	□ A	□ B	φ
DN40-50	□ 14	□ 30	10
DN65-80	□ 17	□ 36	10
DN100-150	□ 19	□ 41	10
DN200	□ 24	□ 51	10
DN250-300	□ 27	□ 58	12

Size	□ A	□ B	φ
DN350	□ 27	□ 56	12
DN400	□ 27	□ 56	12
DN450	□ 32	□ 56	12
DN500	□ 32	□ 56	12
DN600	□ 32	□ 56	12

Designs, materials and specifications shown are subject to change without notice due to our continuing program of product development.



Resilient Seated Gate Valve

Non-Rising Stem, operation for Gate Valve

IV001 RSGV

Extension Spindle



Extension Spindle



Extension Spindle
with protection tube



Operating T-Key

Mounting instruction

TELESCOPIC EXTENSION SPINDLE



!



**DN 50-125:
Max. 200 Nm**

**DN 150-400:
Max. 400 Nm**

**DN 450-600:
Max. 500 Nm**

